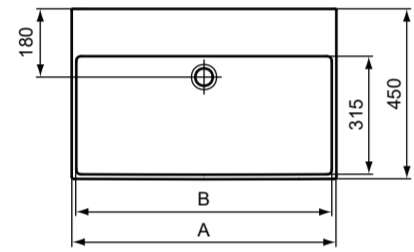
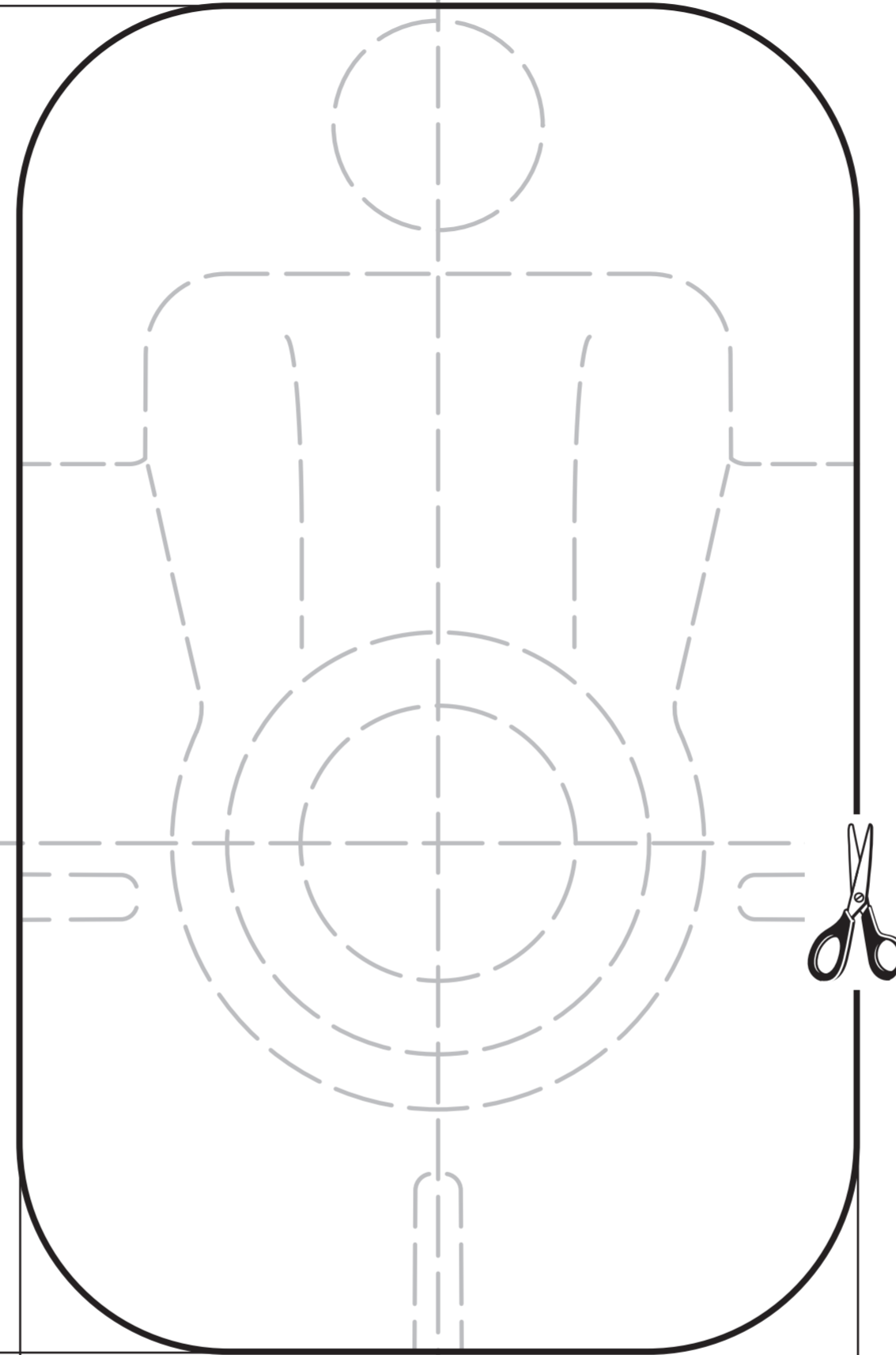


	A	B	C
T3730/T3905	1000	975	280
T3729/T3899	800	775	280
T3728/T3894	700	675	280
T3727/T3889	600	575	280
T3726/T3884	500	240	



	A	B	C
T3904/T3908	1000	975	280
T3898/T3901	800	775	280
T3893/T3896	700	675	280
T3888/T3891	600	575	280
T3883/T3886	500	475	240

40  
225

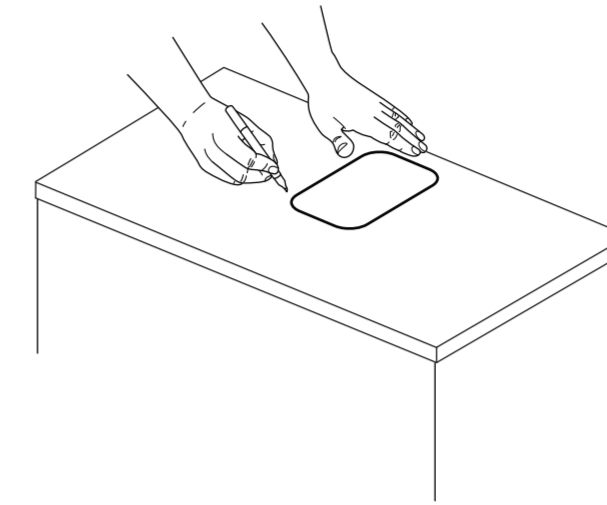


140

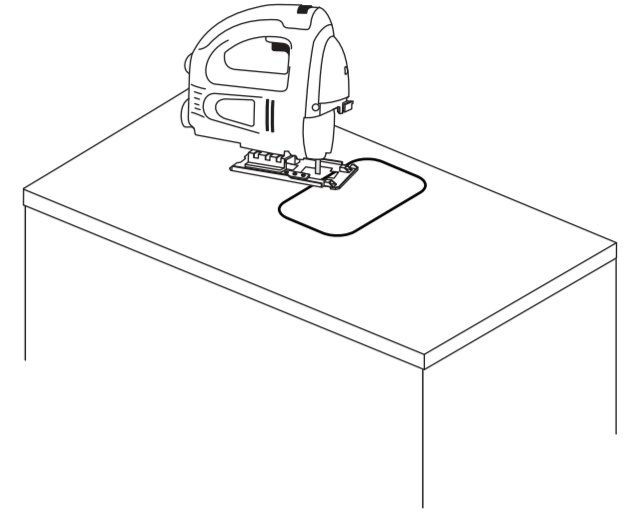


Ideal Standard

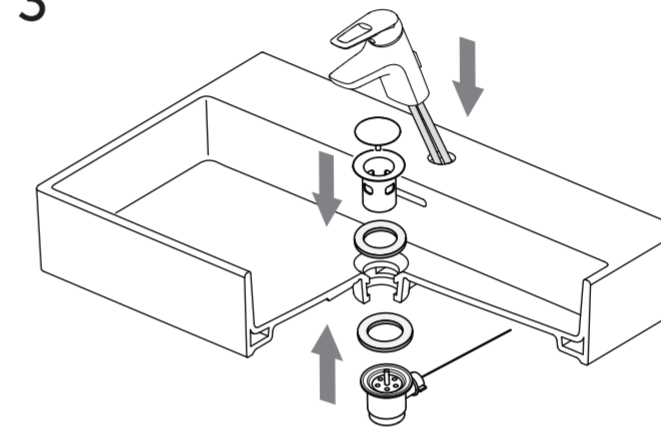
1



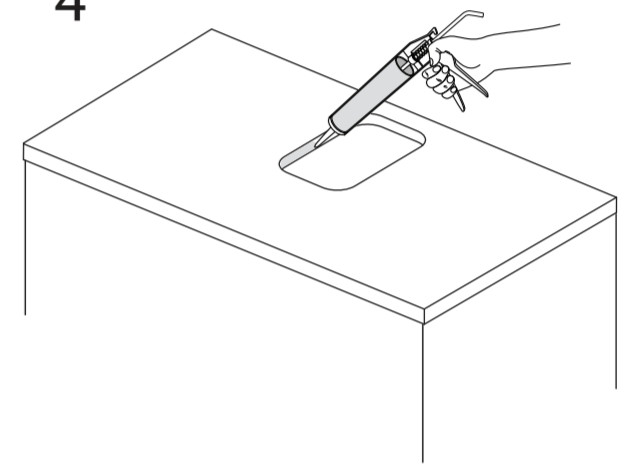
2



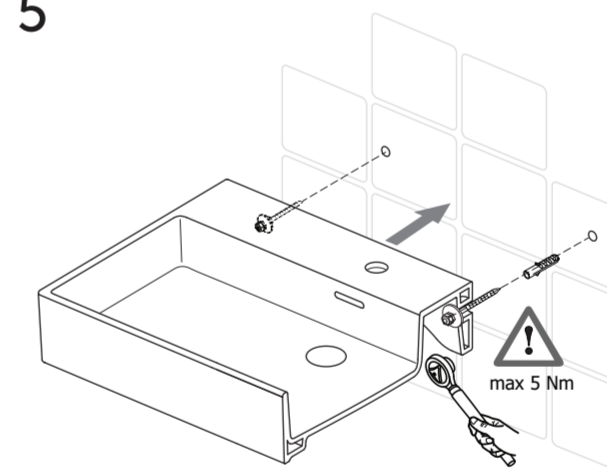
3



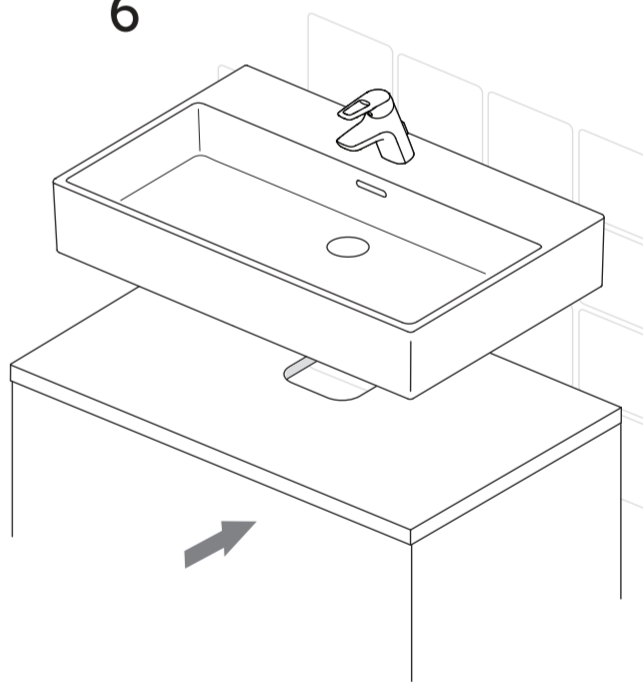
4



5



6



7

