



4x
5-500



2x
390010190



4x
5,0-60SU

o

8x
19500000

1

(A)



4x
5-500

(B)

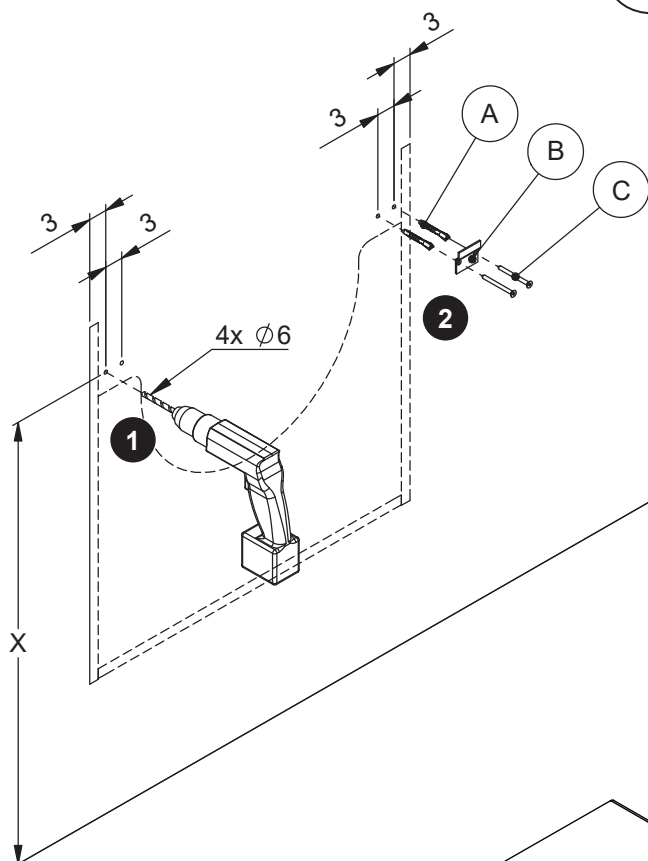


2x
390010190

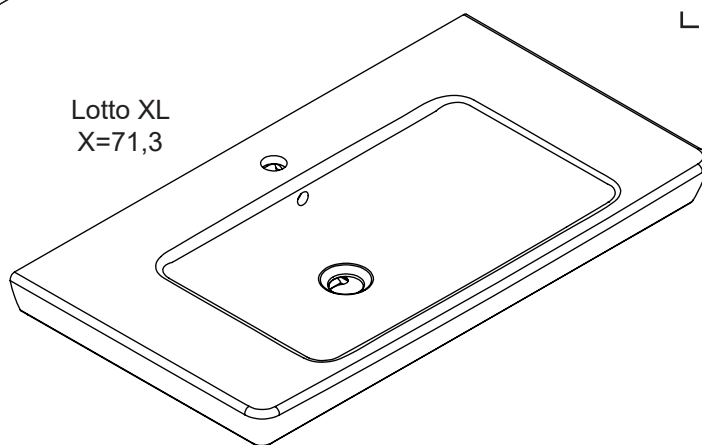
(C)



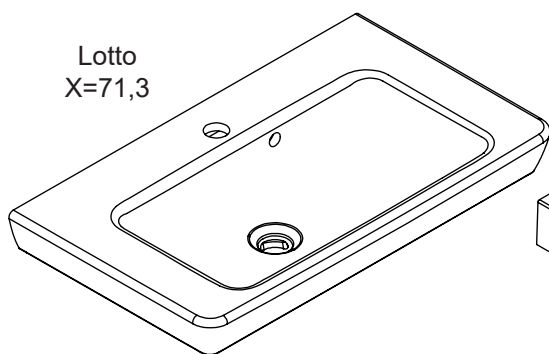
4x
5,0-60SU



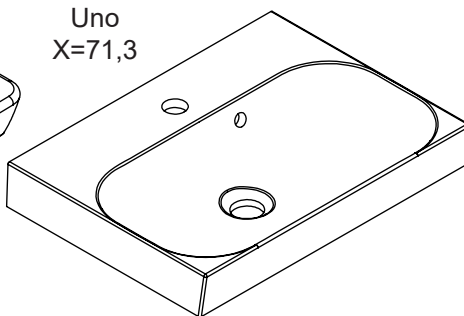
Lotto XL
X=71,3



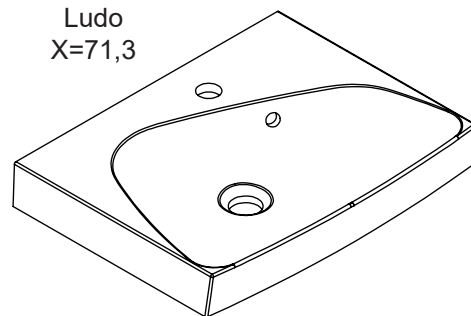
Lotto
X=71,3



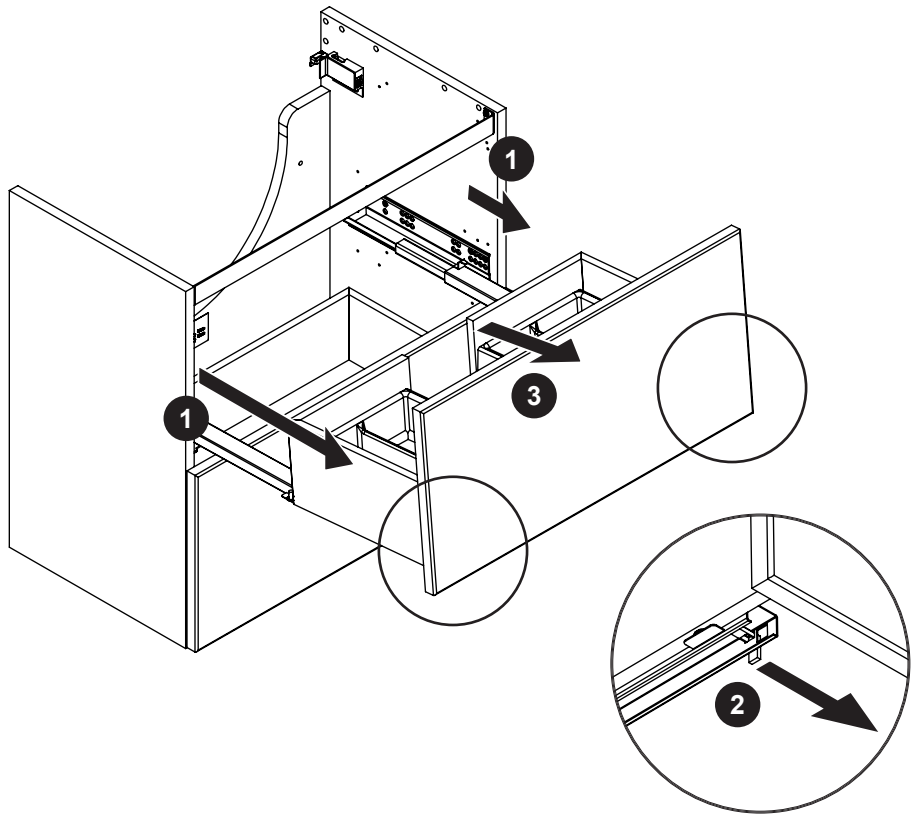
Uno
X=71,3



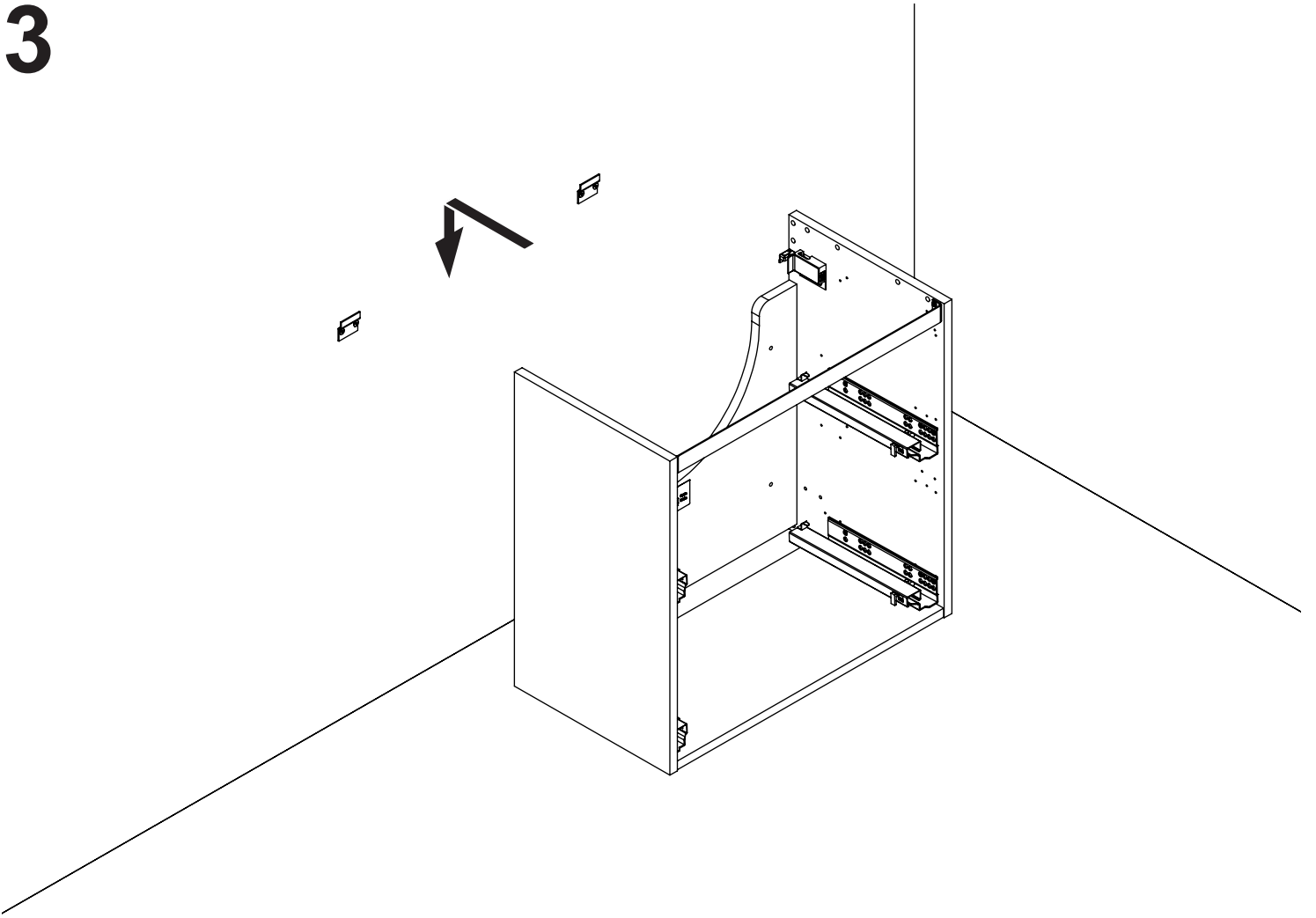
Ludo
X=71,3



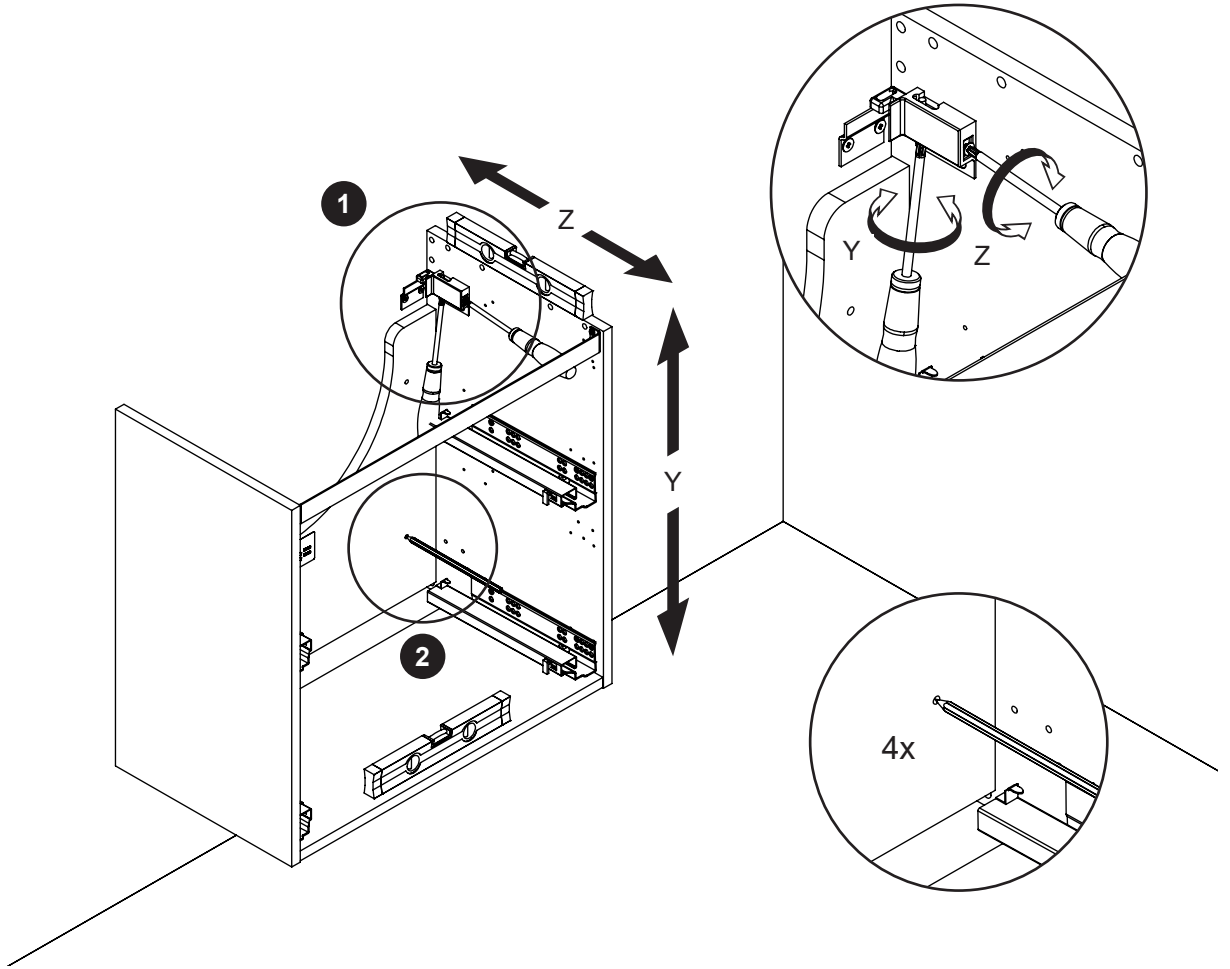
2



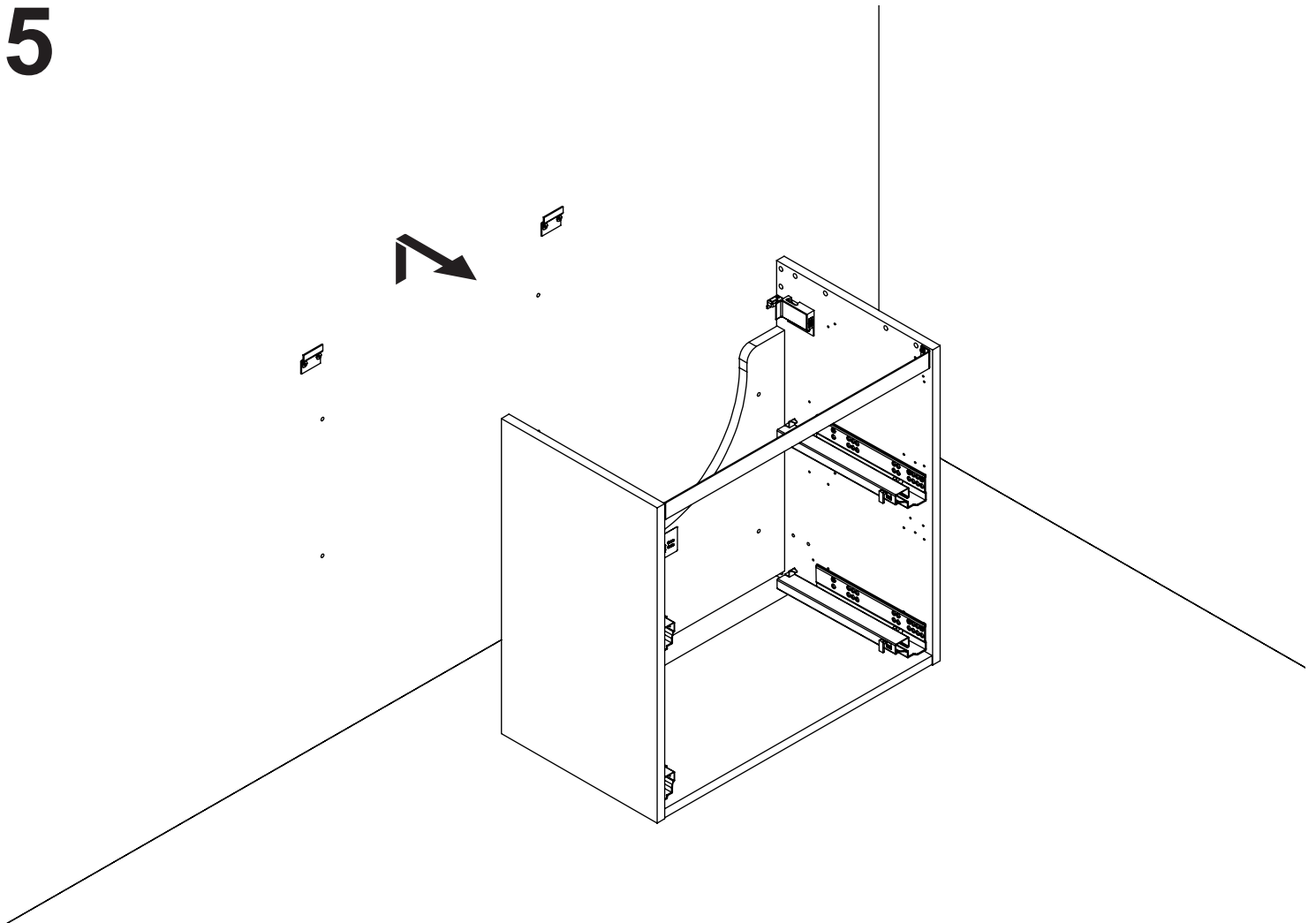
3



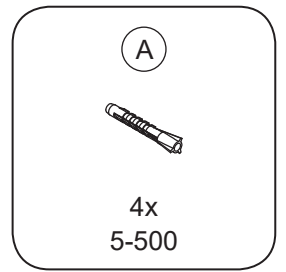
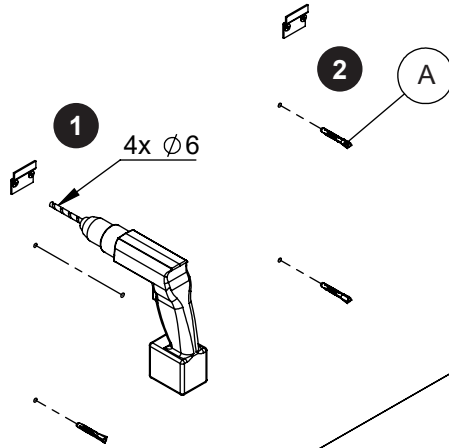
4



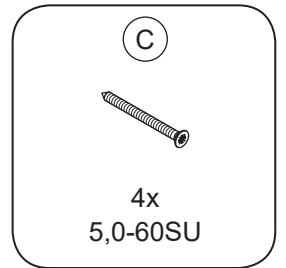
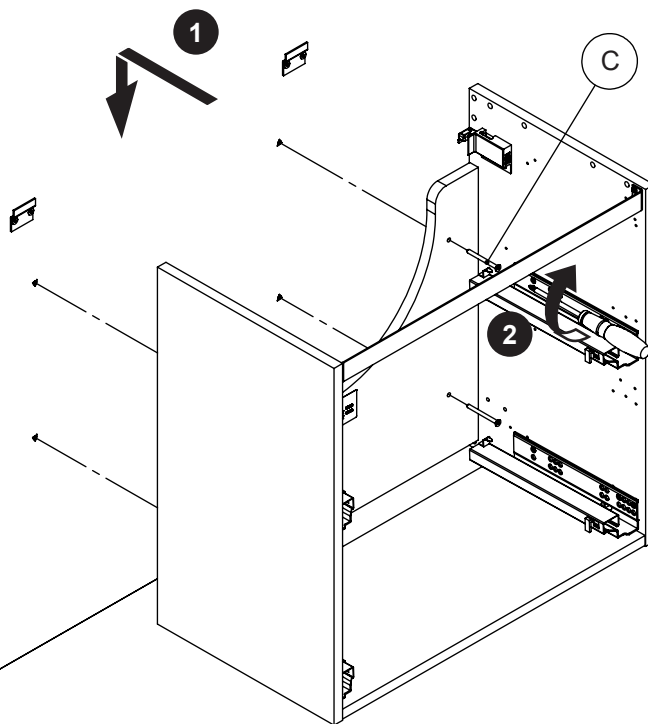
5



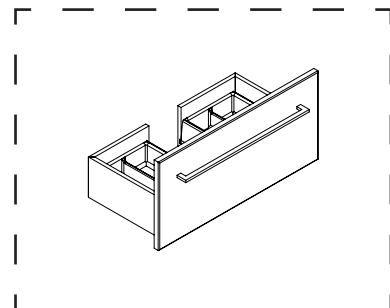
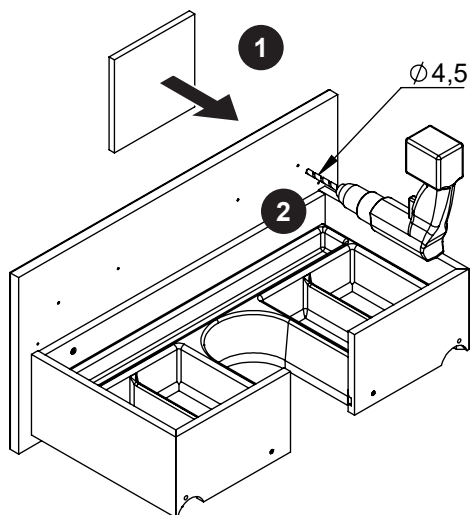
6



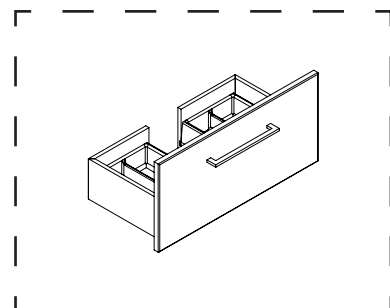
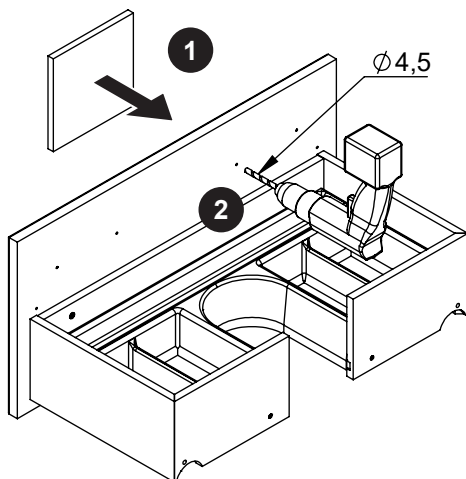
7



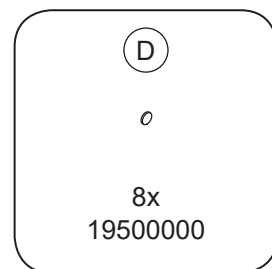
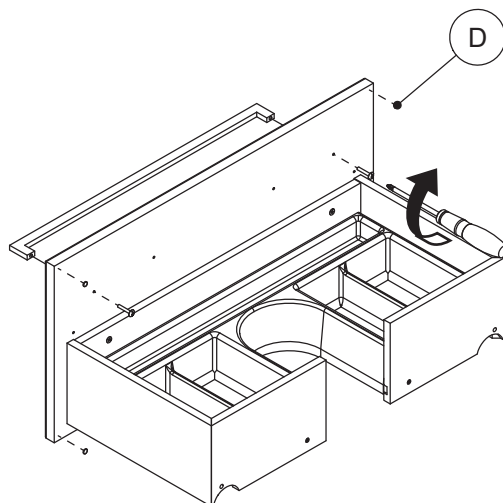
8A



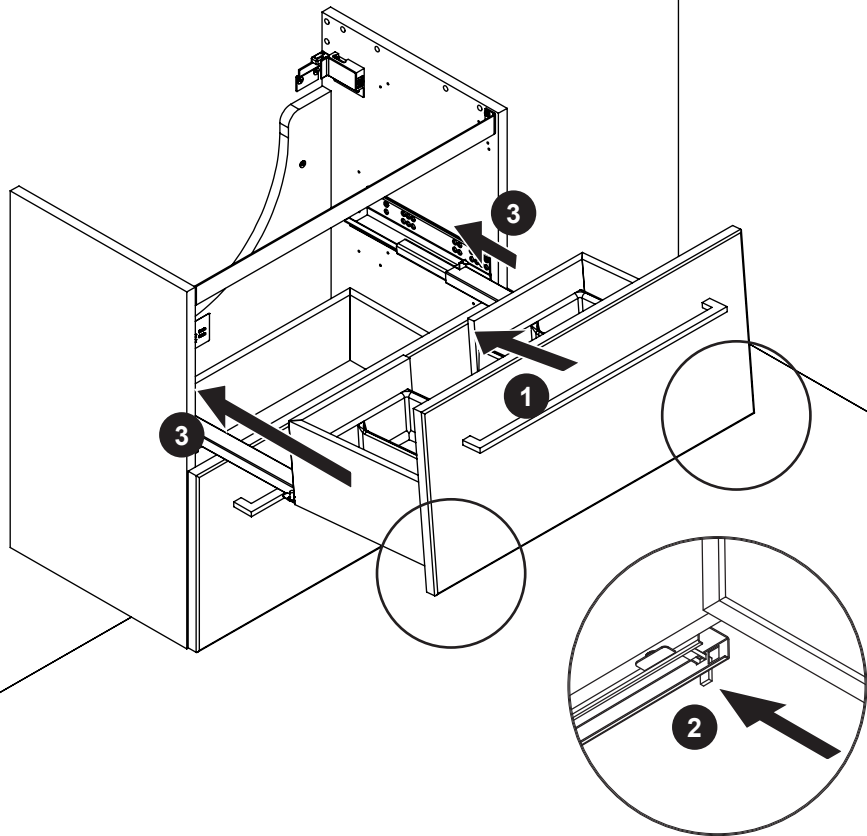
8B



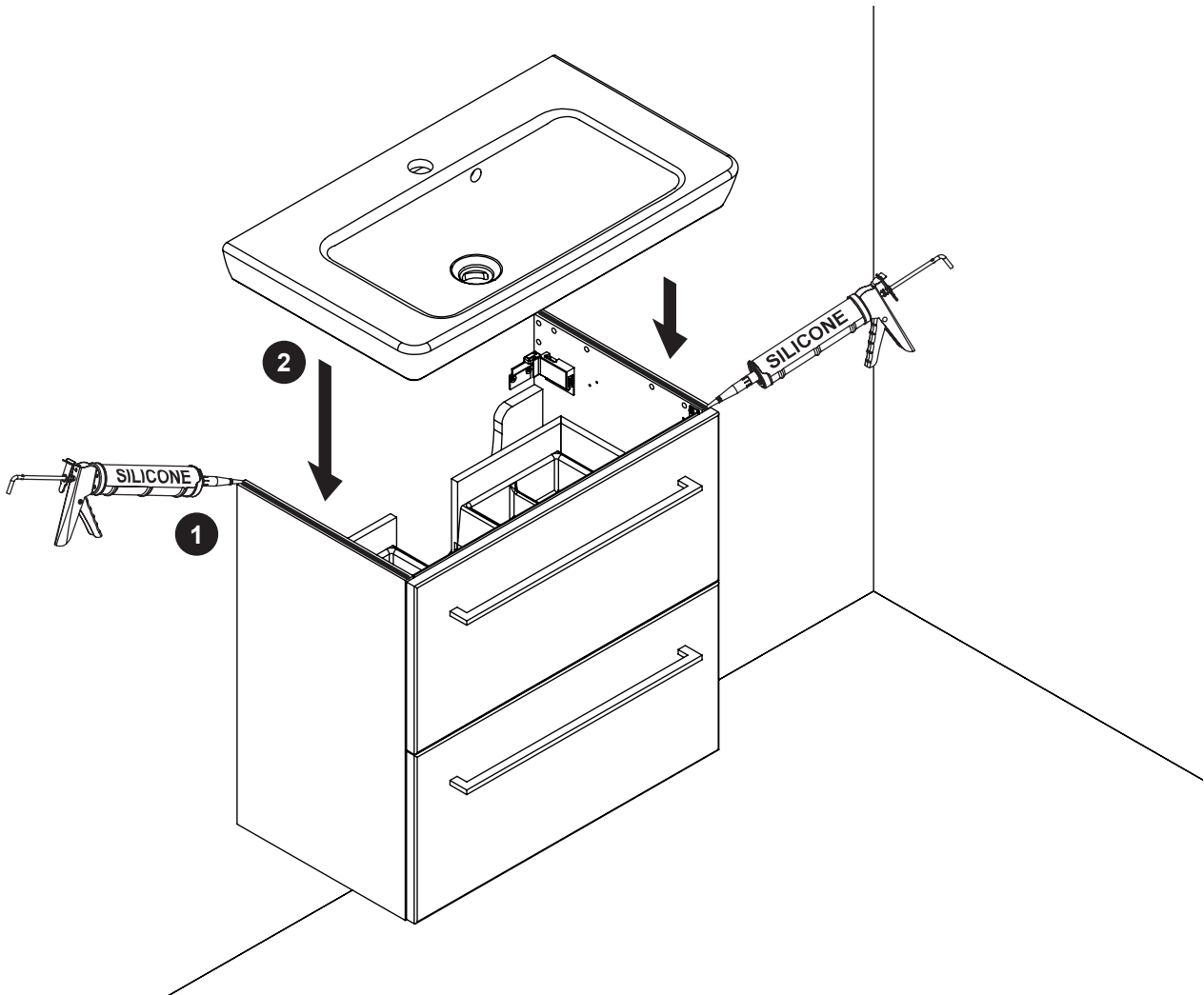
9



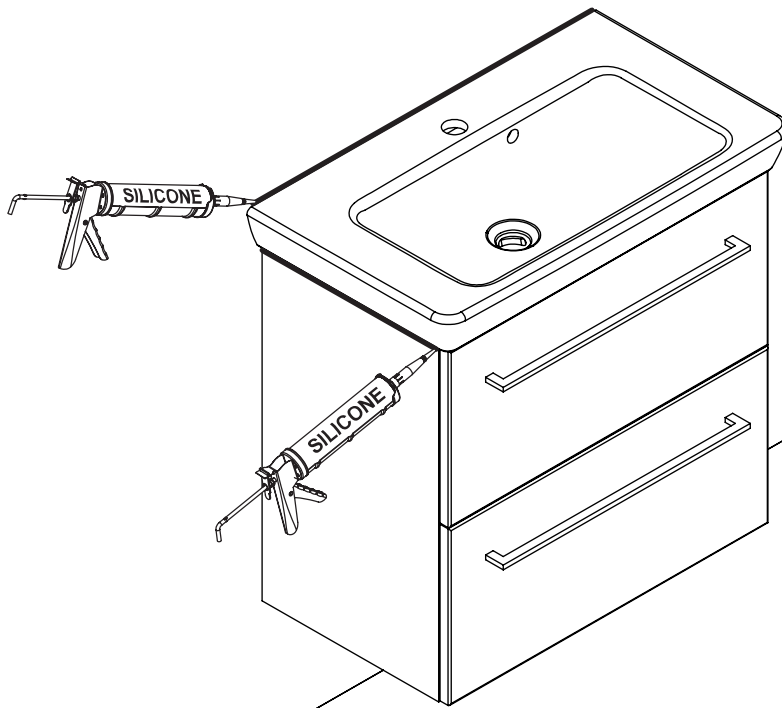
10



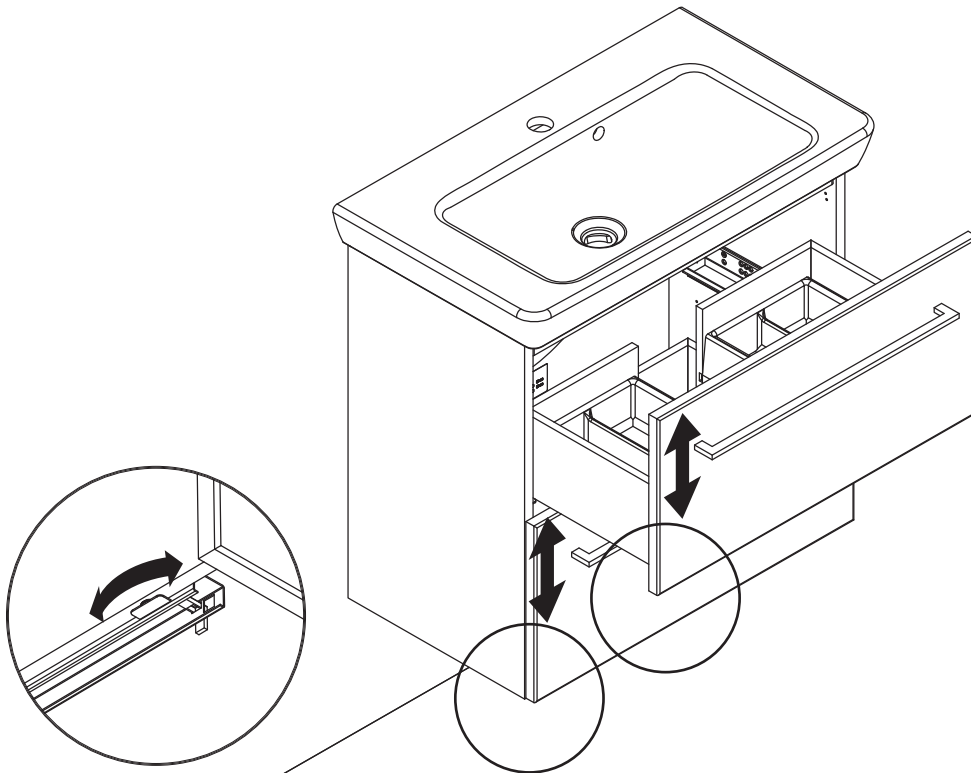
11



12



13



5 711112 176945