

6x
5-500



2x
390010190



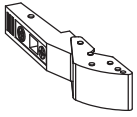
6x
5,0-60SU



6x
390010067



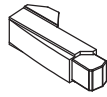
8x
415532



2x
190040240



2x
3,5-20SU



1x
190040631



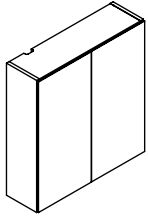
1x
190040632



1x
390010110



1x
19500000



6x
5-500



2x
390010190



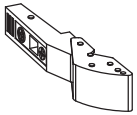
6x
5,0-60SU



6x
390010067



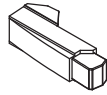
8x
415532



4x
190040240



4x
3,5-20SU



2x
190040631



2x
190040632






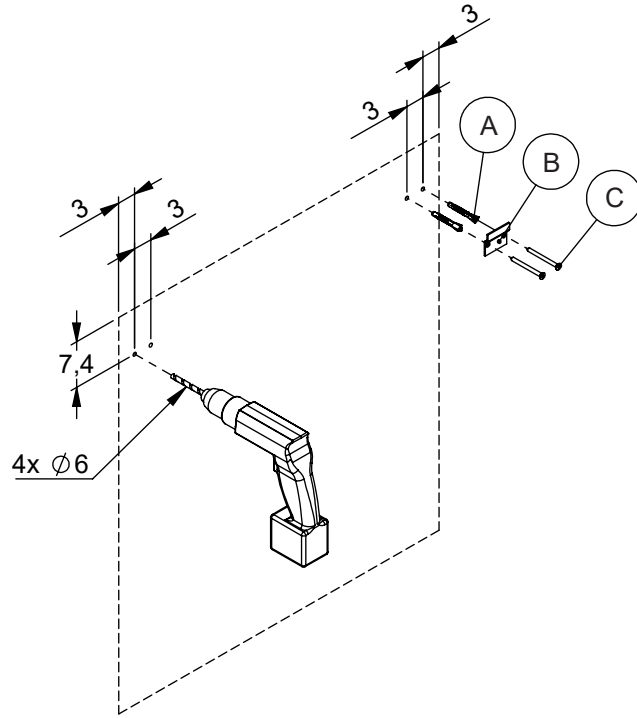
2x
390010110



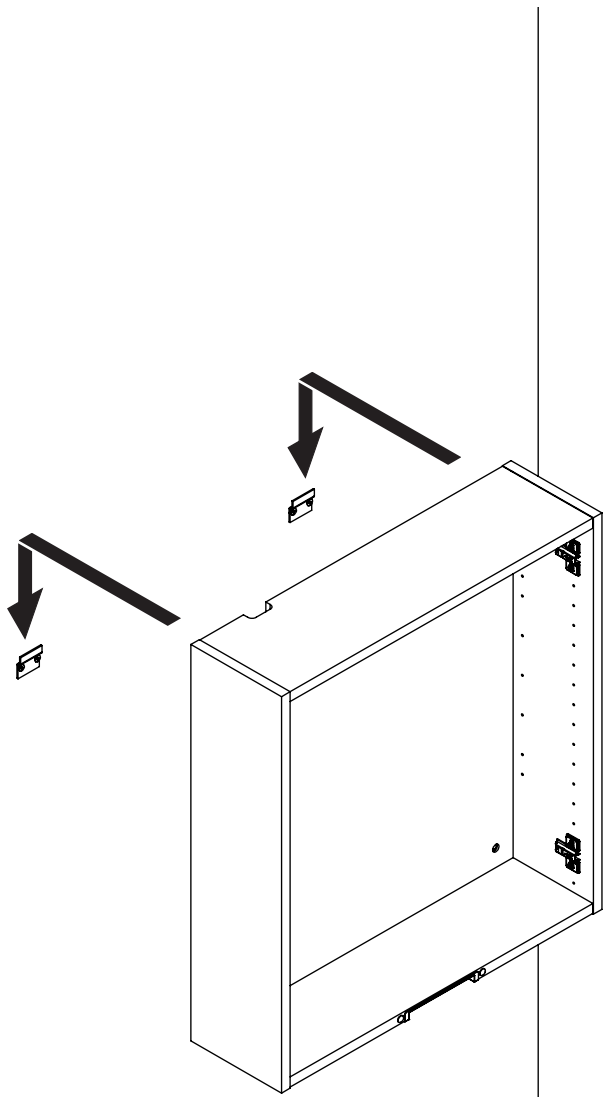
2x
19500000

1

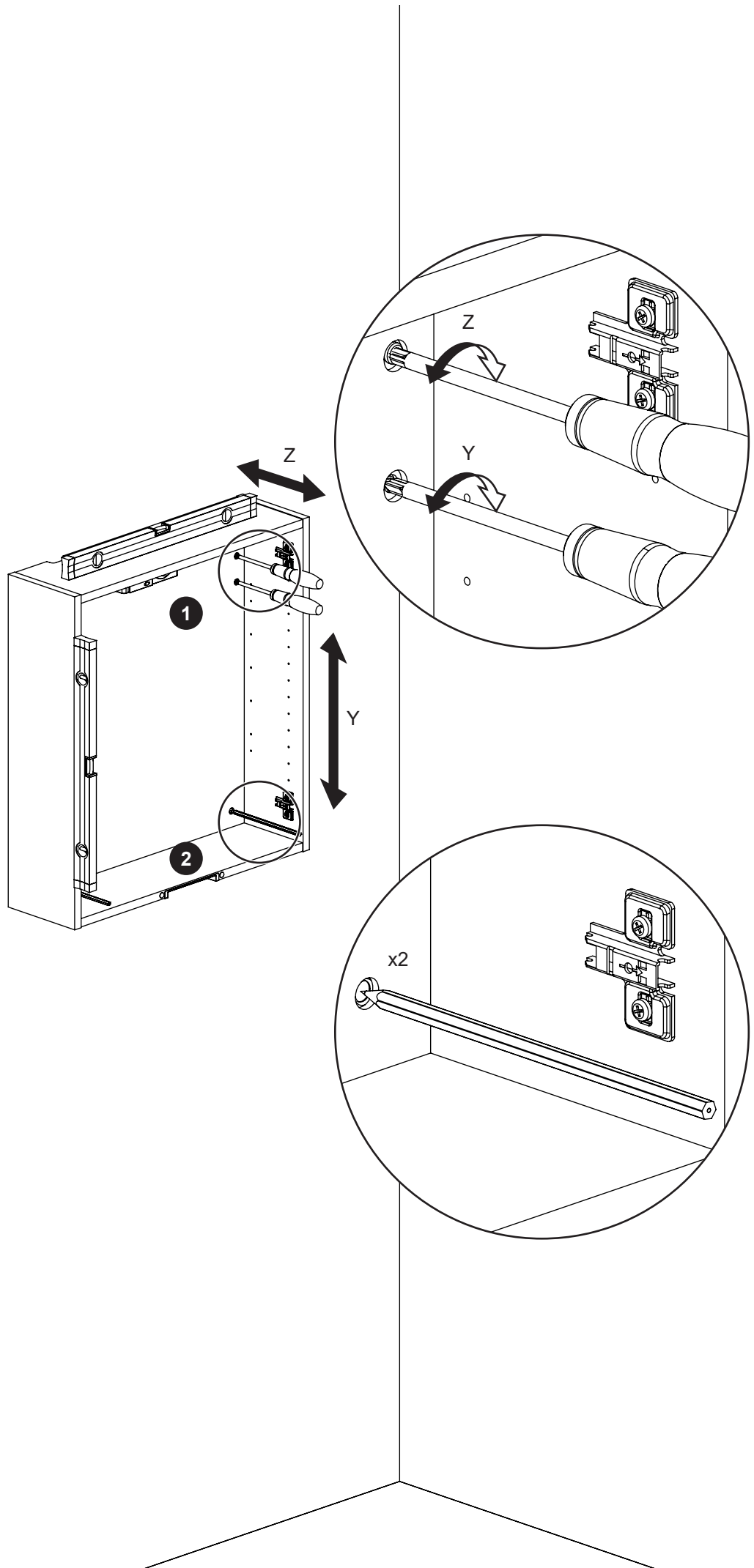
		
4x 5-500	2x 390010190	4x 5,0-60SU



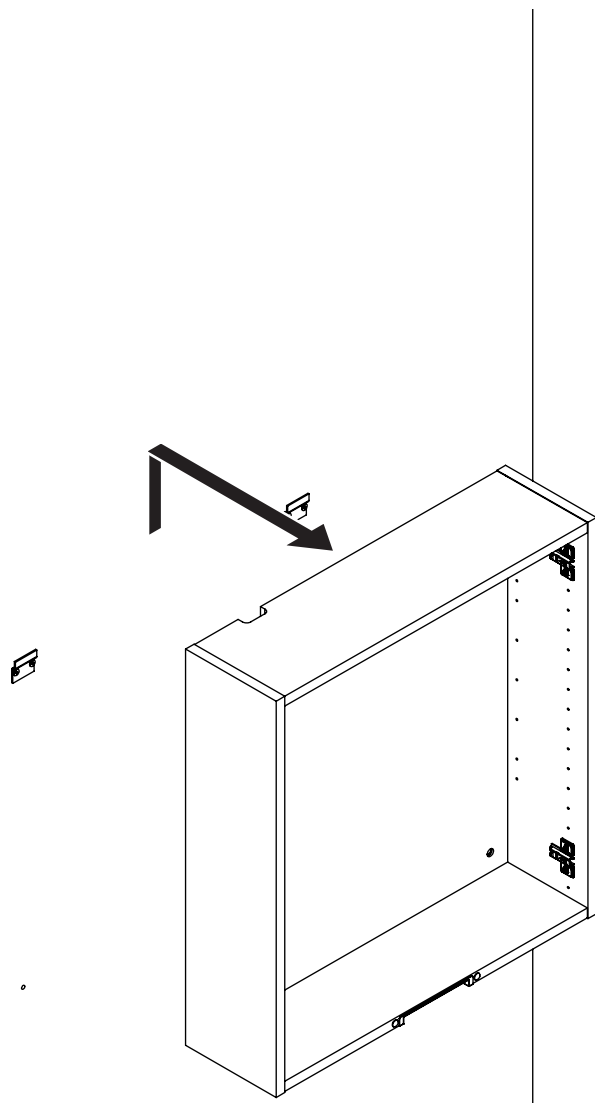
2



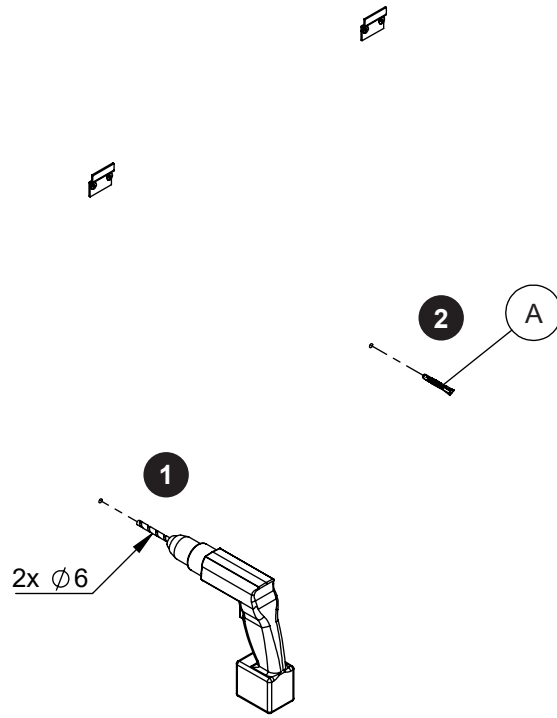
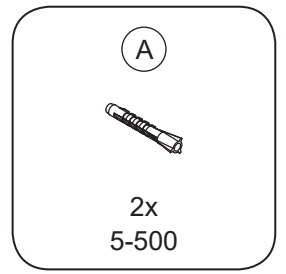
3



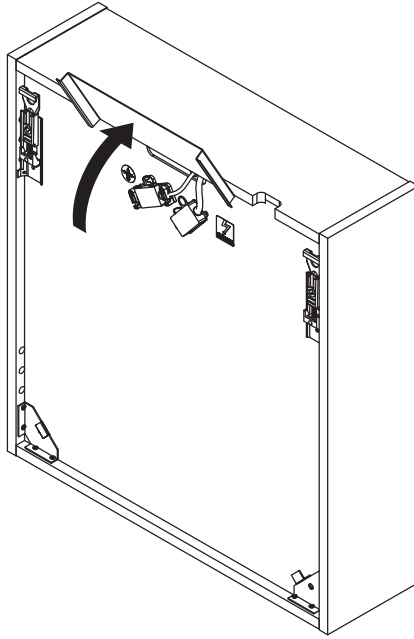
4



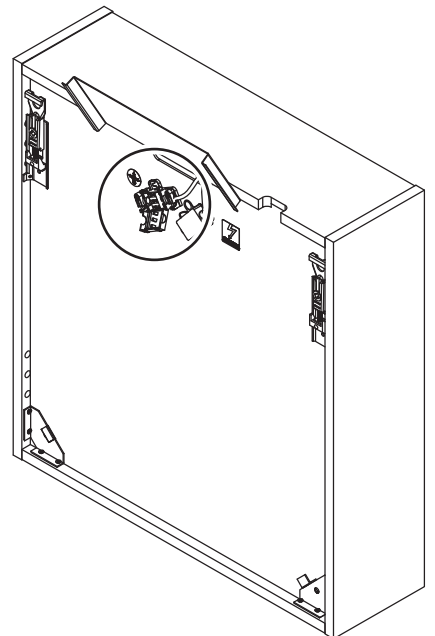
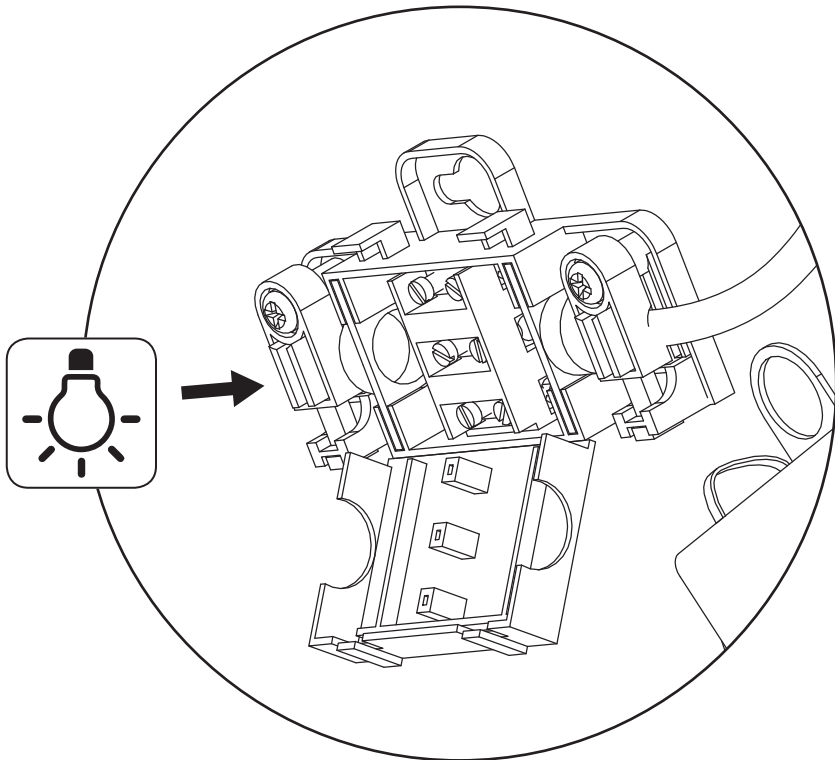
5



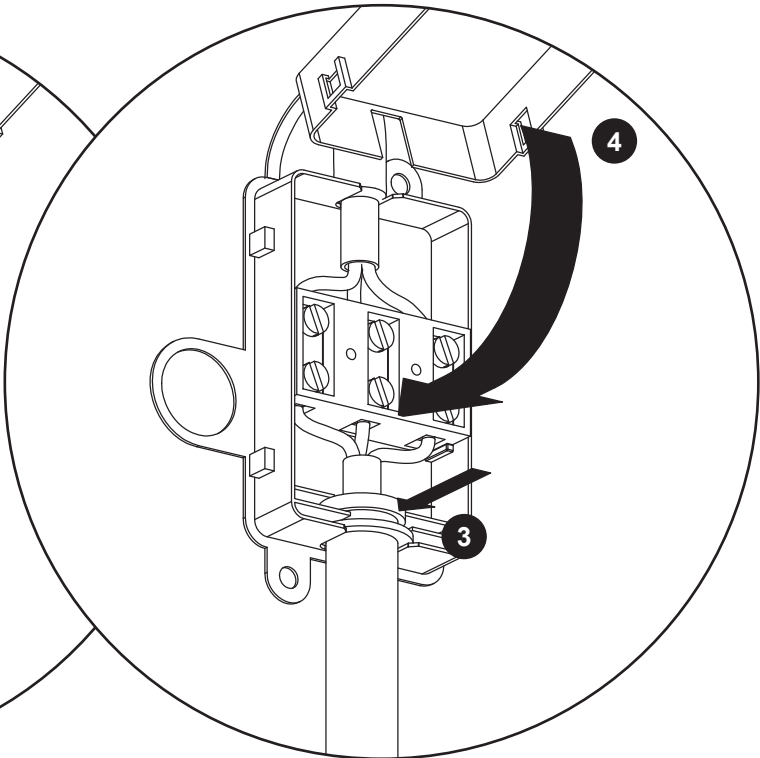
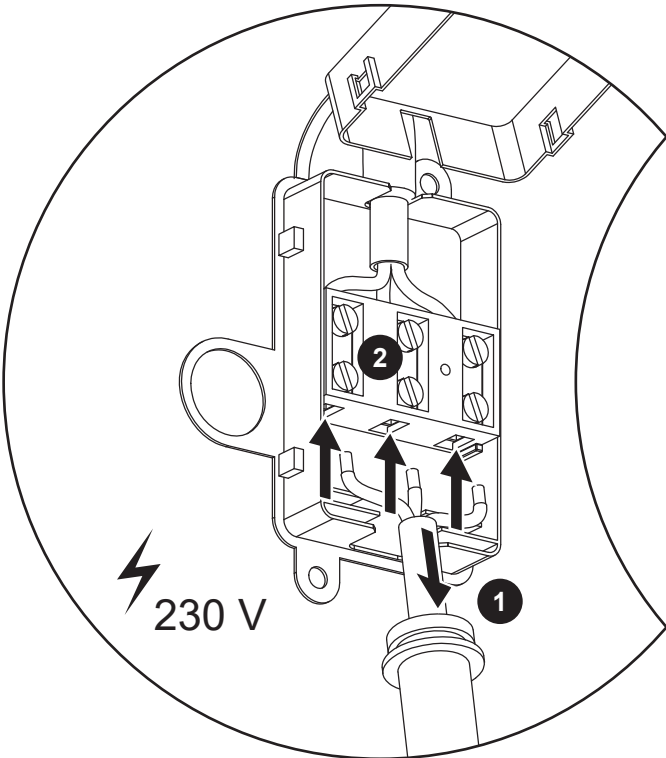
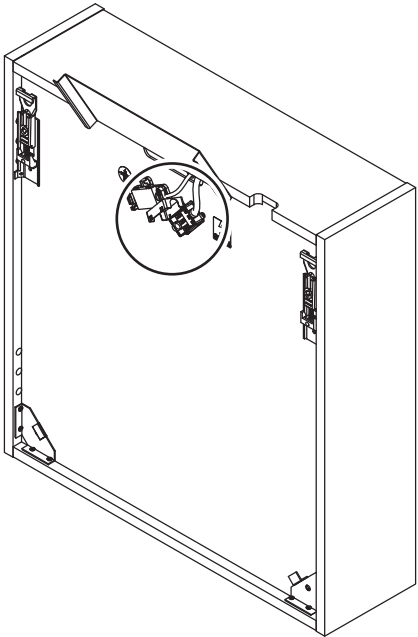
6



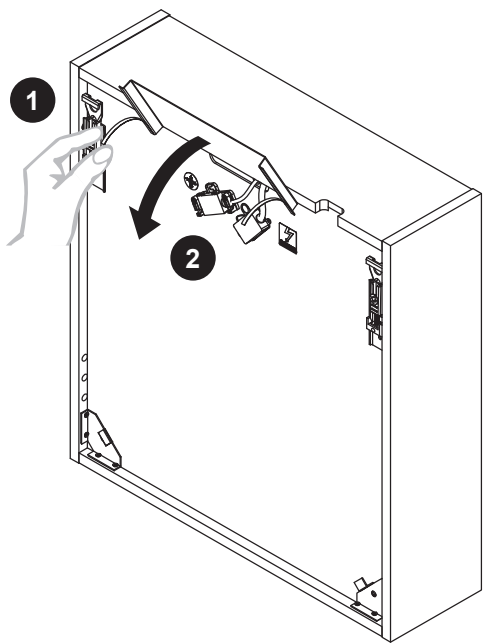
7A



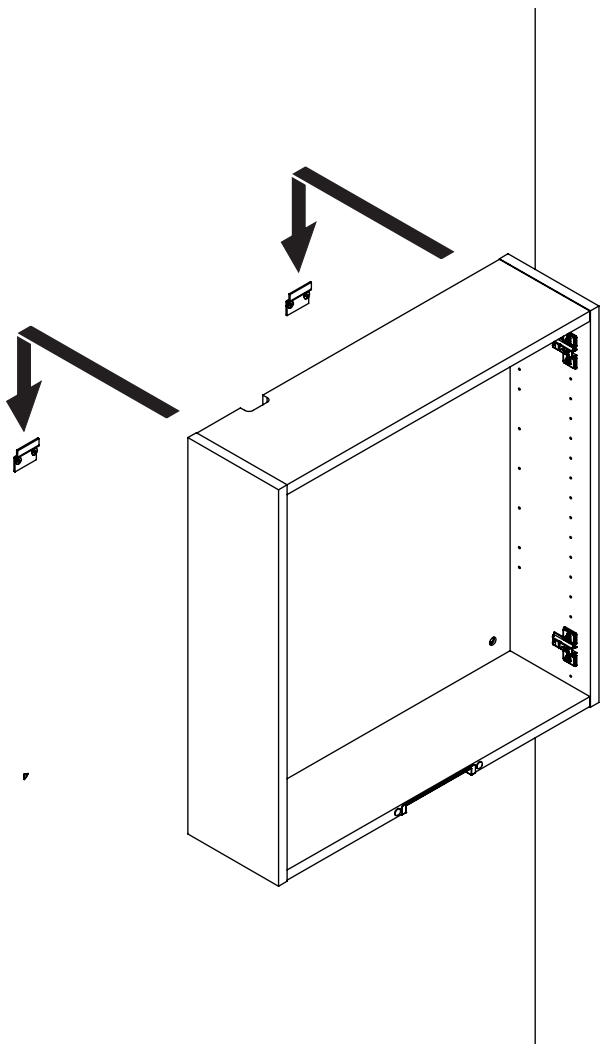
7B





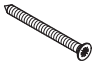

8

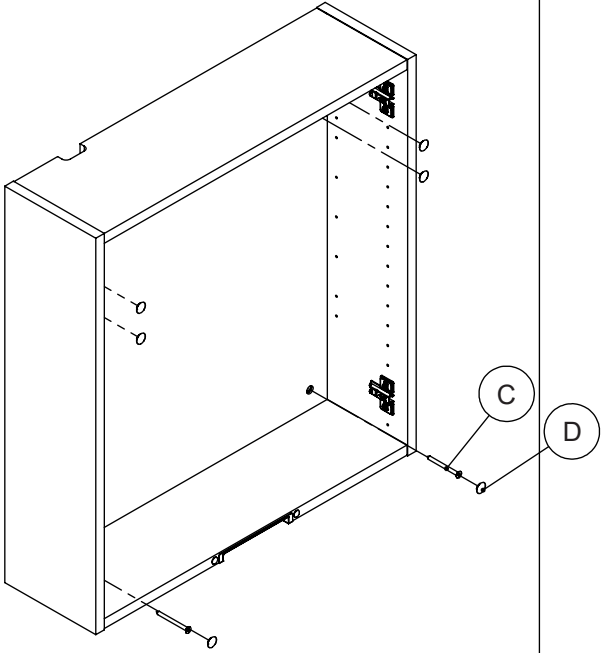


9




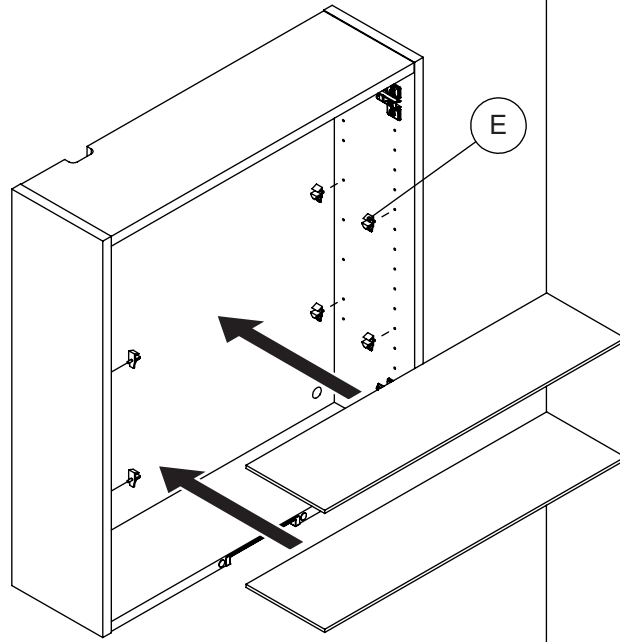
10

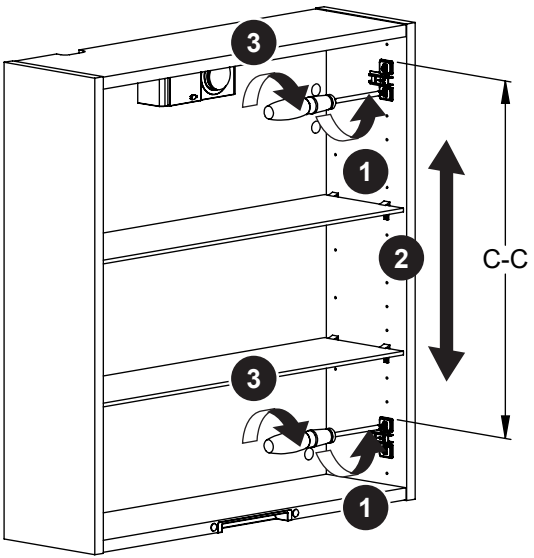
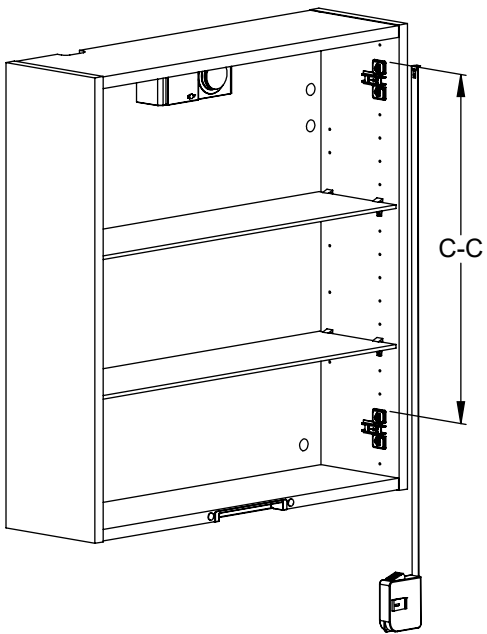
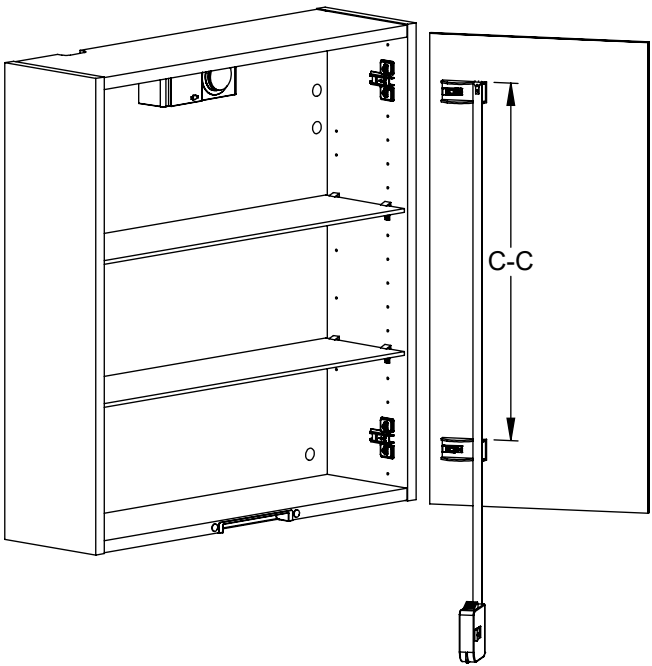
	
	
2x 5,0-60SU	6x 390010067

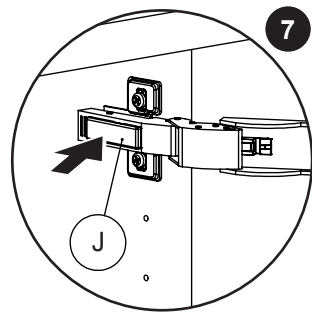
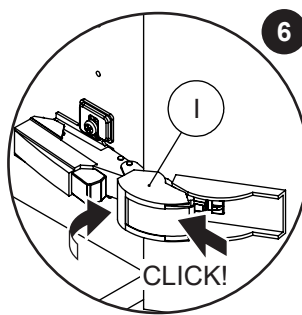
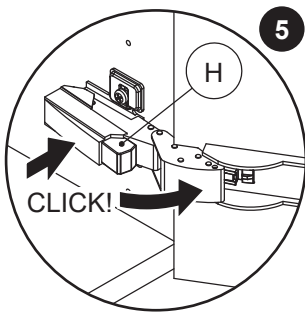
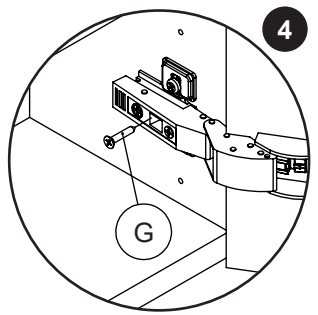
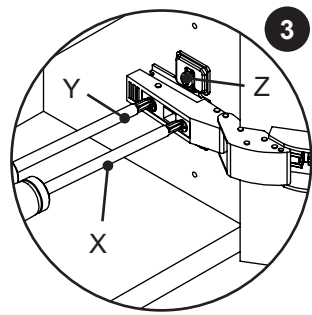
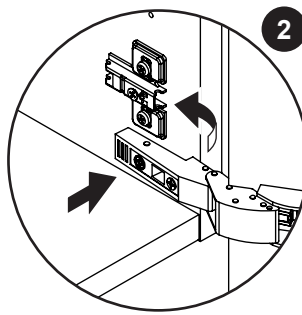
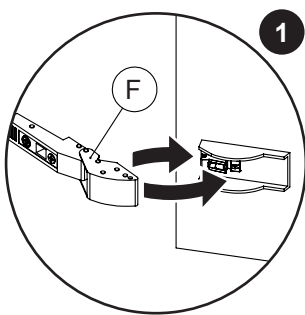
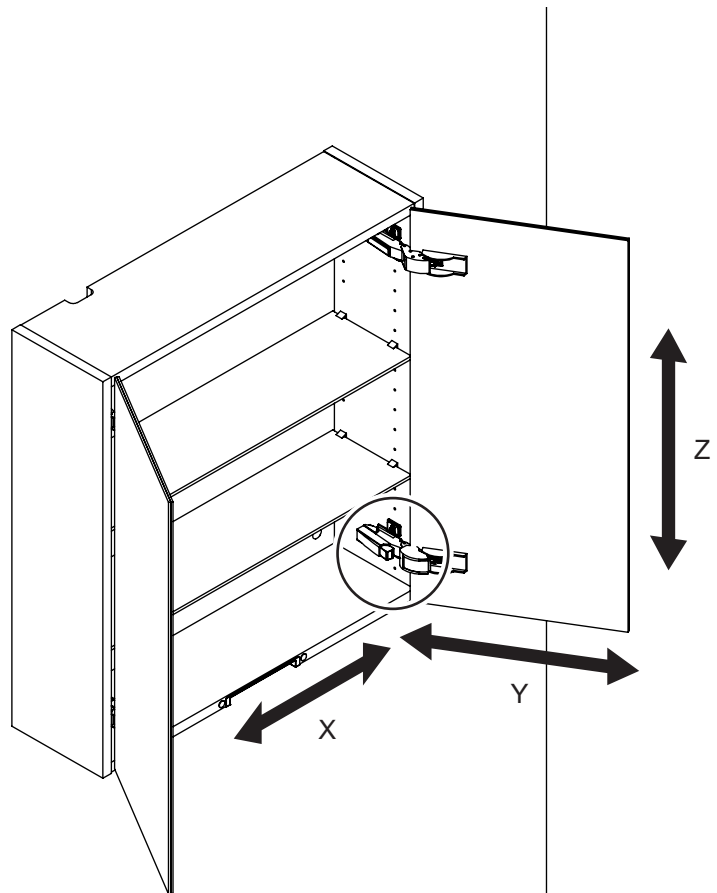
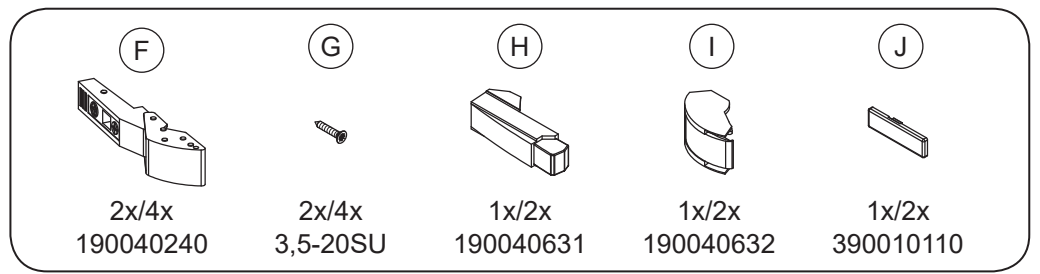


11

ⓔ

8x
415532







Ⓚ
o
1x/2x
1950000

